



## HYDRO THERAPY MASSAGE BATHTUBS

### Installation and user manual

GS 1400 - GS 1460 - GS 1500 - GS 1580 - GS 1588 - GS 1712

Developed and designed by

IQUE BATHROOM LIMITED  
LONDON ENGLAND

#### Contains

- Page 1 Advices and important information
- Page 2 Delivery of the Hydro Therapy Massage Bathtub
- Page 3 Installation
- Page 4 Installation
- Page 5 Functions Air regulators - 3 way valve diverter
- Page 6 Functions Electronic control panel
- Page 7 Functions Remote control Panel
- Page 8 Functions Operation instruction electronics
- Page 9 Functions " " "
- Page 10 Functions " " "
- Page 11 Functions Drain & Overflow
- Page 12 Trouble shooting
- Page 13 Maintenance
- Page 14 Technical specifications
- Page 15 Limited Warranty
- Page 16 Limited warranty

Copyright 2006, all rights reserved

Many thanks for choosing a Hydro Therapy Massage Bathtub from IQUE Bathroom Limited

OUR BATHTUBS ARE DEVELOPED FOR MAXIMUM COMFORT AND RELAXATION

The hose and jet system comes with V shaped jets, for sanitary reason, ensuring that ALL the water in the system is drained after use.

### **ELECTRICAL INSTALLATION**

Installation of the electrical system shall always be made by an authorized or qualified electrician, authorized by the distributor

### **PLUMBING INSTALLATION**

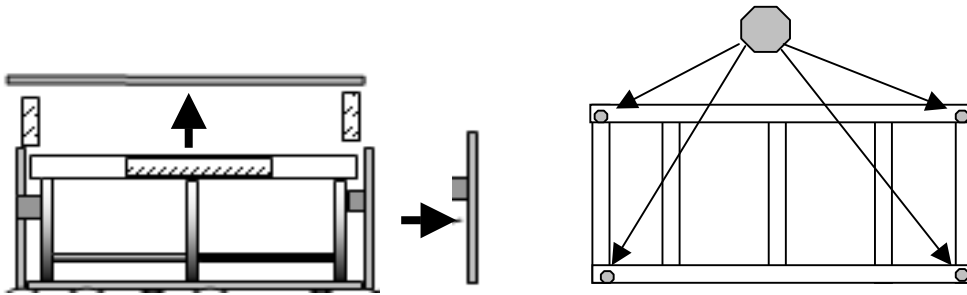
Installation of the plumbing shall always be made by an authorized or qualified plumber authorized by the Distributor

### **Some advices**

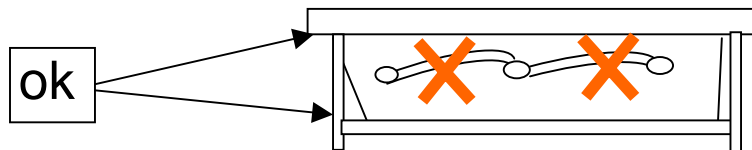
- Never use the bath with a water temperature exceeding + 39C
- The maximum bathing time should never exceed 45 minutes. We advice you to increase the bathing time step by, starting from 20 minutes.
- Do not use the bath under the influence of alcohol
- Make sure that children are under supervision while taking a bath, don't leave them unattended while using the Hydro Therapy Massage Bathtub.
- Individuals with heart/blood circulation problems should consult a doctor for medical advice before using a Hydro Therapy Massage Bathtub
- Never touch any electrical parts or try to solve a electrical problem by your self, always consult the dealer where the product was purchased or use a qualified electrician.
- Follow the installation and maintenance instructions for safe and long durability of your new Hydro Therapy Massage Bathtub

**UPON DELIVERY OF THE WHIRLPOOL**

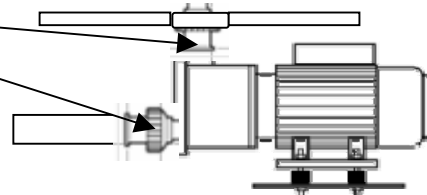
- Consult an electrician to make sure that there is enough power before installing the product.
- Upon delivery of the Whirlpool, check the package for any visible damage.  
If the package is damaged contact the transport company.
- The Hydro Therapy Massage Bathtub is secured during transportation with bolts tighten to the metal frame, from the bottom of the wooden package.
- Loosen the bolts and the bathtub is free to carry to the installation place. The crate bolts position may vary from different types of Hydro Therapy Massage Bathtubs. Use a spanner to untighten the bolts. First remove the wooden parts, then turn the Hydro Therapy Massage Bathtub up on it's side.



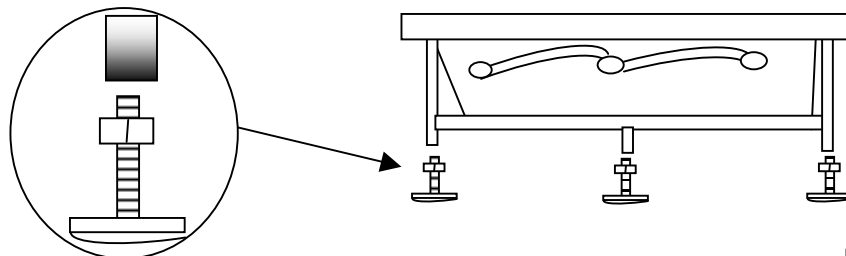
- DON'T carry or lift the Whirlpool by the hoses, always lift and carry it at the rim and /or the metal frame



- Check the pump unions and tighten them if necessary, use ONLY HAND FORCE. During transportation they may have loosened.



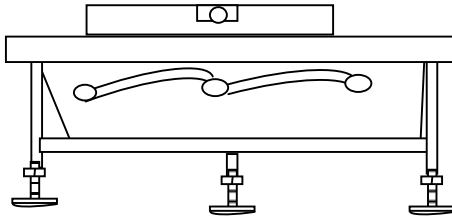
- Before moving the Bathtub to its final destination and before installing it, assemble the adjustable feet's ( in the accessories box) to the metal frame. Lightly tighten the nuts, the height of the adjustable feet's may be changed during the installation. If the panel is assembled to the bathtub, remove it before moving it to the installation place. See instructions skirt/panel



## INSTALLATION

1. Clear the location where the Hydro Therapy Massage Bathtub will be located. Move the Hydro Therapy Massage Bathtub in position.

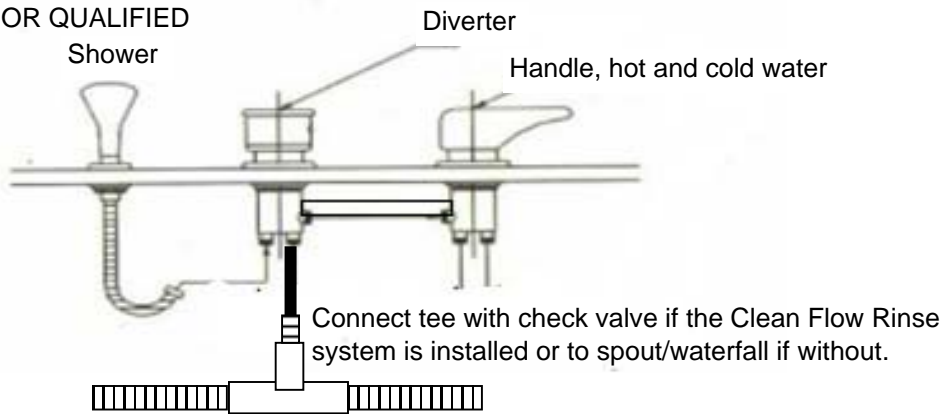
2. Use a leveller to make sure it is in horizontal level. Adjust the feet's and tighten the bolts.



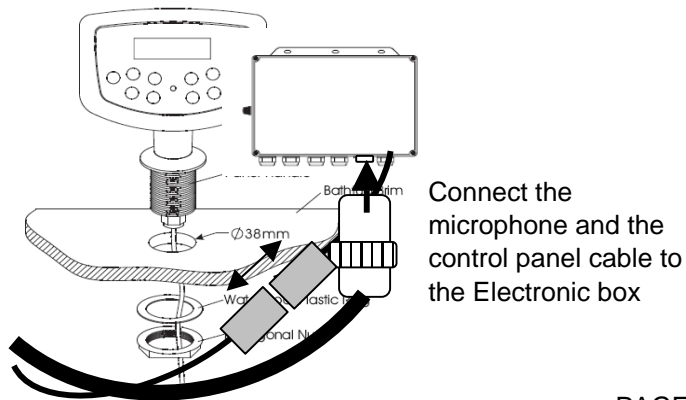
3. Assemble the drainage hose/pipe. (NOT DELIVERED BY US)

4. Connect the power cable/s (AUTHORIZED OR QUALIFIED ELECTRICIAN)

5. Connect hot and cold water to mixer, if supplied together with the Whirlpool use a AUTHORIZED OR QUALIFIED PLUMBER

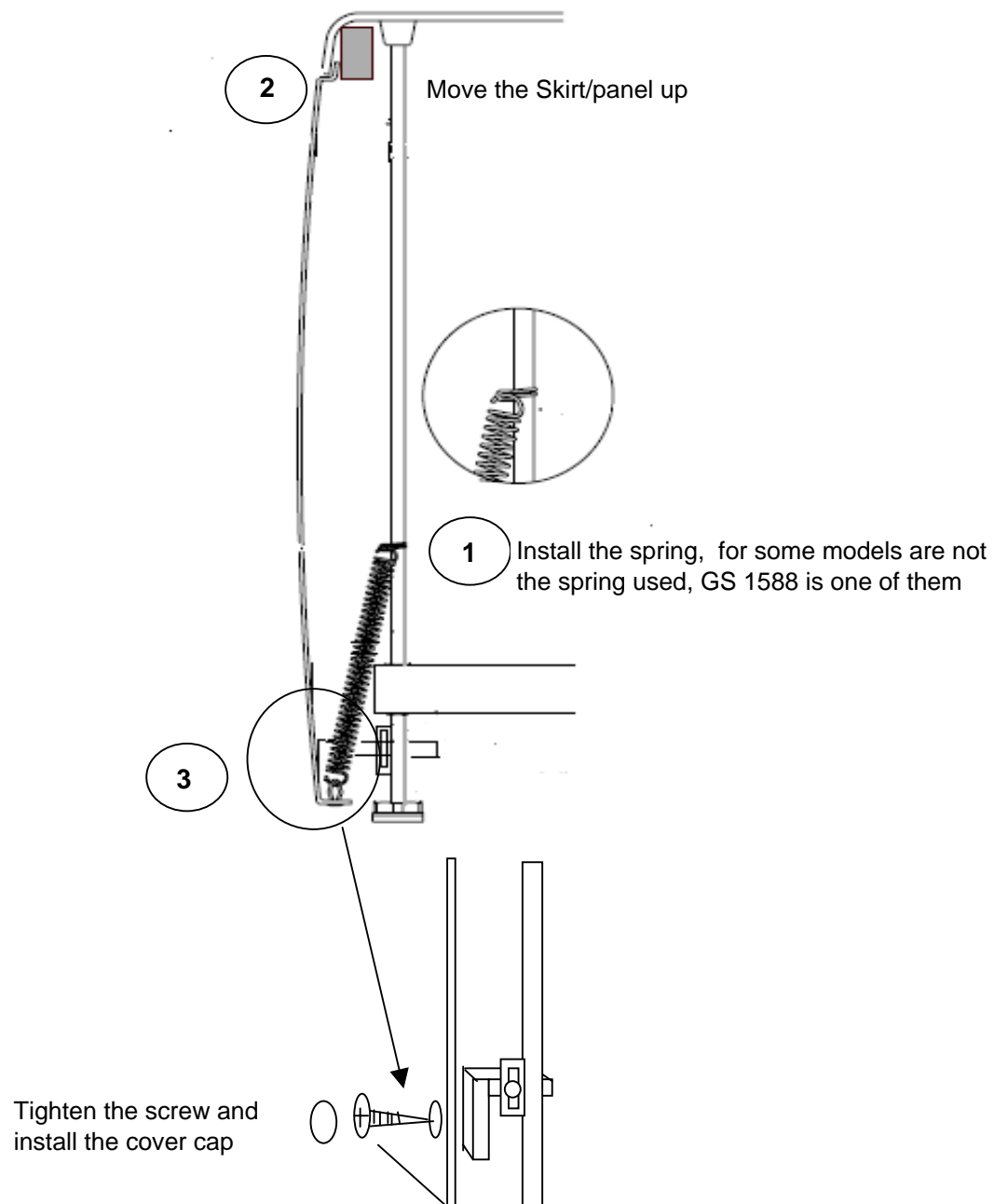


6. Install the Control panel if the Hydro Therapy Massage Bathtub is equipped with electronic system. If it is delivered with Pneumatic system, it is ready to use after the Electrician made the installation.



## Skirt / Panel installation

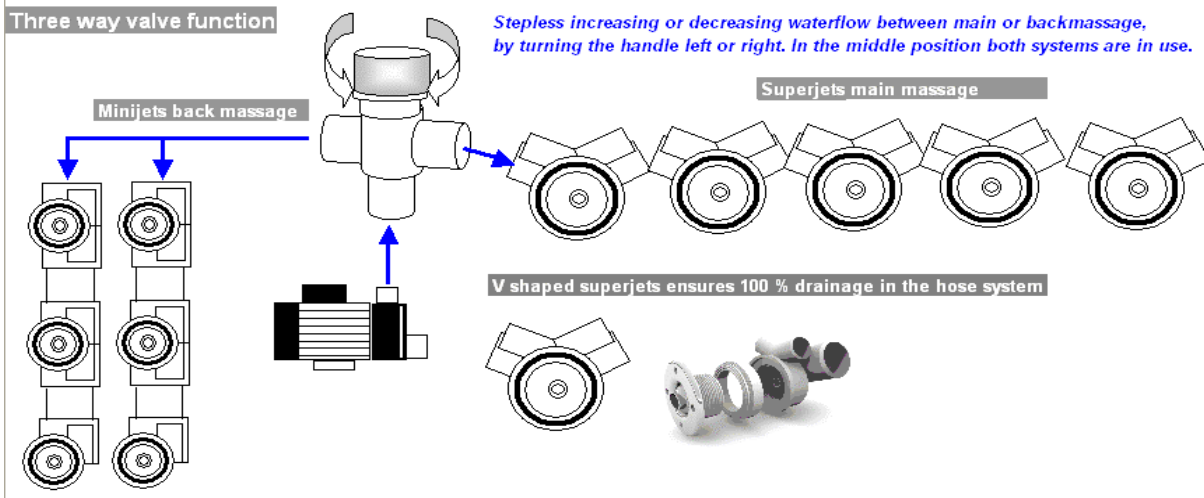
After the drainage hose/pipe and power been installed, assemble the skirt/panel



## ENJOY YOUR NEW HYDRO THERAPY MASSAGE BATHTUB

After installation, the Hydro Therapy Massage Bathtub is ready for use

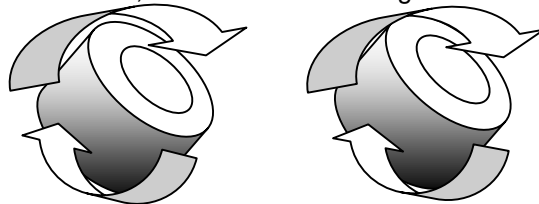
1. Fill up the water in the bathtub to the level of the highest installed jets. The level sensor is installed a few centimetres above those jets.
2. Follow the instructions for using the Electronic control panel
3. 3 way valve diverter functions.



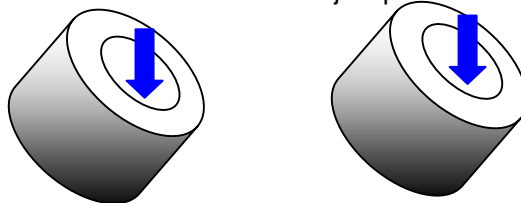
Some of the bathtubs do have double 3 way valves installed.

Then you can control, main massage together with back, second back 1400 and 1460/80 models and the foot massage. Step less increase decrease massage action where you need it.

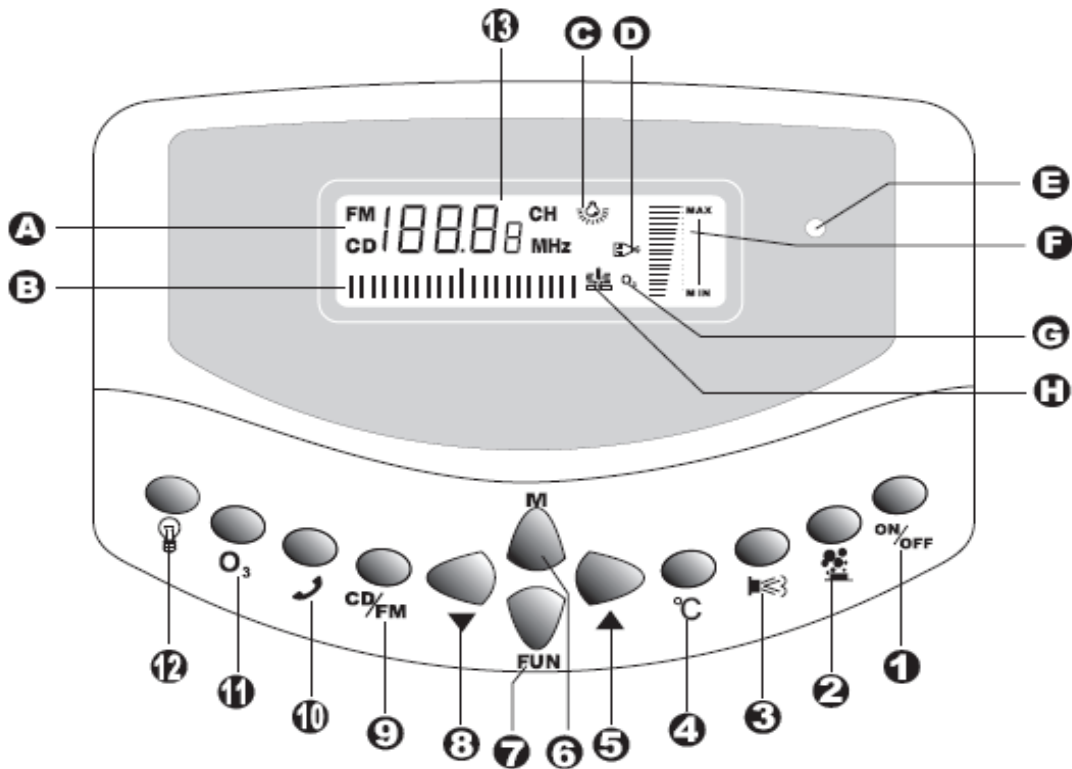
4. Air regulators, increase - decrease the pressure in main, foot and back massage  
To increase decrease turn to left / right



5. Pneumatic switches, when the Electronic control panel NOT is installed there are separated switches for Water pump and air blower. To activate just press down in the middle.



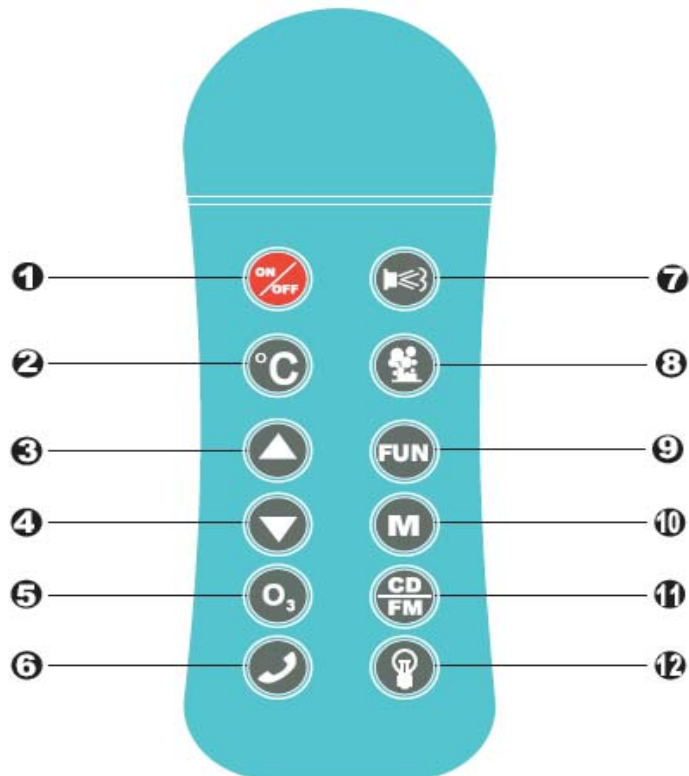
## ELECTRONIC CONTROL PANEL FUNCTIONS



- |   |                                  |
|---|----------------------------------|
| ① POWER ON/OFF                            | ⑫ UNDERWATER LIGHT               |
| ② BLOWER                                  | ⑬ LCD SCREEN                     |
| ③ MASSAGE PUMP                            | A SETTING VALUE DISPLAY          |
| ④ WATER TEMP DISPLAY & SETTING SWITCH     | B SOUND VALUE DISPLAY            |
| ⑤ SOUND VOLUME & FUNCTION SETTING – UP    | C LIGHT STATUS INDICATOR         |
| ⑥ RADIO CHANNEL STORE                     | D MESSAGE PUMP STATUS INDICATOR  |
| ⑦ FUNCTION SWITCH                         | E REMOTE CONTROL RECEIVE WINDOW  |
| ⑧ SOUND VOLUME & FUNCTION SETTING -- DOWN | F BLOWER SPEED STATUS INDICATOR  |
| ⑨ RADIO / CD                              | G STERILIZATION STATUS INDICATOR |
| ⑩ TELEPHONE                               | H WATER HEATING STATUS INDICATOR |
| ⑪ OZONE STERILIZATION                     |                                  |

HEATER FUNCTION IS INSTALLED BUT THE HEATER IS NOT SUPPLIED FROM US AT THE MOMENT. YOU MAY USE ANY APPROVED HEATER WITH A PRESSURE SWITCH FUNCTION

## REMOTE CONTROL FUNCTIONS



**1** POWER ON/OFF

**2** WATER TEMP & SETTING SWITCH

**3** SOUND VOLUME & FUNCTION SETTING -- UP

**4** SOUND VOLUME & FUNCTION SETTING-- DOWN

**5** OZONE STERILIZATION

**6** TELEPHONE

**7** MASSAGE PUMP

**8** BLOWER

**9** FUNCTION SWITCH

**10** RADIO CHANNEL STORE

**11** RADIO / CD

**12** UNDERWATERLIGHT

HEATER FUNCTION IS INSTALLED BUT THE HEATER IS NOT SUPPLIED FROM US AT THE MOMENT. YOU MAY USE ANY APPROVED HEATER WITH A PRESSURE SWITCH FUNCTION



## A. OPERATION INSTRUCTION

### 1. POWER ON/OFF

When unit is powered on, press **ON/OFF** button on control panel or remote control, all function buttons are on operation phase. Meanwhile, LCD screen lights up in green. System will be deactivated after 1 hour automatically unless be turned off first manually by pressing **ON/OFF** button again. All functions will be off accordingly.





### 2. UNDERWATER LIGHT

When system is activated, if enough water circulating in bathtub, press  button on control panel or remote control, underwater light should be on. Meanwhile, LCD screen displays light indicator icon . Press this button again to deactivate underwater light. (Note: If not enough water circulating in bathtub, underwater light can not be activated. Meanwhile, indicator icon flashes.)



### 3. TELEPHONE

When system is activated, if it happens there is a phone call, then the phone rings. Meanwhile, if radio/CD, massage pump, blower, etc functions are open already, system will deactivate them automatically. Press  button on control panel or remote control, ring stops and system enters into phone receive status. LCD screen displays indicator letter **TEL**. Hang up the phone by pressing  button again. As soon as the deactivation, system starts the pre-opened function automatically.



#### 4. RADIO/CD

When system is activated, press  $\frac{CD}{FM}$  button on control panel or remote control, radio opens. Meanwhile, LCD screen displays current frequency. Press **FUN** button for the first time, system enters into **FM** channel manual search status. Use  $\blacktriangle$  and  $\blacktriangledown$  buttons to select the right channel. Press either  $\blacktriangle$  or  $\blacktriangledown$  for half a second, enters into automatic channel search status. When a favourable channel comes up, press **M** button for 2 seconds to store it down. Press **FUN** button for the second time, system enters into **FM** channel switch status. Use  $\blacktriangle$  and  $\blacktriangledown$  buttons to select desired channel, ranging from 1 to 8. Press **FUN** button for the third time, system enters into blower speed setting status. Revert back to sound volume setting status, press **FUN** button again.



Press  $\frac{CD}{FM}$  button on control panel or remote control for the second time, system enters into CD play status. Meanwhile, LCD screen displays letter *cd*. Press button for the third time, turns off RADIO/CD function.



#### 5. SOUND VOLUME SETTING

During RADIO/CD play phase, if button **FUN** has never been pressed or system is in sound volume setting status, use  $\blacktriangle$  and  $\blacktriangledown$  buttons to adjust the sound value.



#### 6. MASSAGE PUMP

When system is activated and enough water circulating in bathtub, press  $\blacktriangleleft\blacktriangleright$  button on control panel or remote control, massage pump starts running. Meanwhile, LCD screen displays  $\text{E} \times$  icon. Press this button again to shut off massage pump.

(Note: when not enough water circulating in bathtub, massage pump is not available, meanwhile, LCD screen displays  $\text{E} \times$  icon.)



## 7. WATER HEATING

When either massage pump or blower is functioning, water heating function starts automatically. Press °C button on control panel or remote control, enters into water temp setting status. Meanwhile, LCD screen displays □℃ icon and it flashes. Use ▲ and ▼ buttons to set the desired temperature, from 15~45 . Press °C button or 5 seconds after no operation on control panel, LCD screen displays real water temp. System presets water temp to be 30 by default.

- (Note: 1. When not enough water circulating in bathtub, water heating function is not available, and ❄️ Icon flashes.  
2. When real water temp is higher than desired water temp, water heating stops functioning.



## 8. BLOWER

When system is activated and enough water circulating in bathtub, press ❄️ button for the first time on control panel or remote control, enters into blower speed manual setting status. Meanwhile, LCD screen displays below speed bar. Press FUN button, then use ▲ and ▼ buttons to set desired speed. Press ❄️ button again to enter into blower speed automatic changing status. Press ❄️ button for the third time, deactivate blower.

When not enough water circulating in bathtub, press ❄️ button, blower is activated and functions for 3 minutes to dry out the pipes. When bathtub becomes low water from full water status, and such a phase at least lasts for 10 seconds, system deactivates blower for 10 minutes, and starts it to run for 3 minutes to dry out the pipes automatically.



## 9. OZONE STERILIZATION

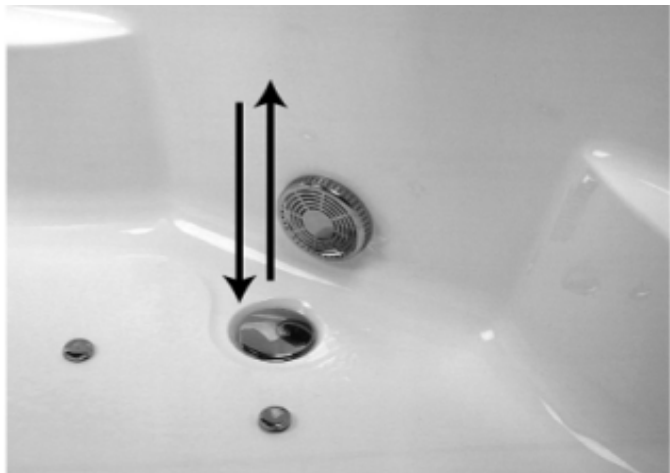
NOT IN USE

ozone sterilization is not available.)



## Drain and waste Overflow

Our drain is easy and simple to use



To close press one time.  
To open press one time.

Overflow installed at the slope edge.

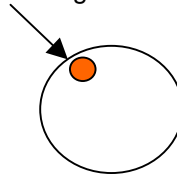


The water drains out automatically into the waste pipe when reaching overflow

# TROUBLE SHOOTING

## 1. Pump/blower NOT STARTING

If electronic system is installed, make sure that the water is in the level above the highest jet in the main system. Check the level sensor. There should be a small light indicating that the water level sensor is activated. If the red light is not activated, the water level is not high enough. Fill up with more water. The sensor is installed at the front side. Skirt/panel has to be removed, for you to be able to see the sensor and the light



Make sure that the electric power is on and that the control panel is activated. See instructions user manual for the electronic system. Check the Fuse (0.75 A).

## 2. Leakage from pump unions

Check that the pump unions are tightened, if it's leaking, tighten carefully by HAND POWER ONLY. Do not use any tools.

## 3. Any other leakage or malfunction

Contact your dealer or service agent/distributor

When contacting them, you need to have following information ready in advance

1. Purchase date and dealer information
2. Article number of the Hydro Therapy Massage Bathtub you have purchased.
3. problem information/ the art of the issue

Usually most of the problems that occur can be solved by a telephone call. Please write down the information you receive from the service agent/distributor or dealer.

---

---

---

---

---

---

---

## **MAINTENANCE**

**We strongly advice you to follow these instructions.**

1. If you are using the Hydro Therapy Massage Bathtub **once a week**.

Fill up the bathtub once a month with warm water, add the disinfection tablets/liquid, and let the water circulate for 30 minutes. Empty the bathtub and fill up again with fresh water. Let it run for a couple of minutes, drain out the water.

2. If using **2-4 days / week**, do the above mentioned procedure every 2 weeks.

**Every third month.**

Clean the surface of the bathtub, then use a polish to get a shining surface. finish with wax to secure and save, the shining surface, of the bathtub.

The daily cleaning will be much easier, if you polish and wax the bathtub-surface frequently. You may use ordinary car polish and wax.

**NEVER USE ANY ABRASIVE, GRITTY CLEANING OR SCOURING MATERIALS**

Rinse and clean the bottom drain and suction cover. This is the most common places where dirt are staying. Use the shower to clean the bottom drainage, suction and jets.

If for any reason the Hydro Therapy Massage Bathtub have not been in use for a month or more, we recommend that it will be disinfected before use. See P 1 above.

If there is a scratch at the bathtub surface, you may use very fine water sanding paper to recover the surface to its original state. Use paper 1200-1500, polish at the scratch surface, use polish and wax afterwards.

.

**Technical specifications**

( information to be filled out during test)

**(kW)**

<b>Pump 1</b>	<b>0.9</b> _____
<b>Blower</b>	<b>0.4</b> _____
<b>Heater 1</b>	<b>1.5</b> _____
<b>Others</b>	_____

## LIMITED WARRANTY

Ique Bathroom Limited ("Ique Bathroom Limited") warrants to the original consumer purchaser ("you") the following about your new Hydro Therapy Massage Bathtub, when purchased from an authorized dealer/service provider ("dealer") or Authorized Distributor.

### TWO YEAR SURFACE/STRUCTURAL WARRANTY:

Ique Bathroom Limited warrants the acrylic surface material of the Hydro Therapy Massage Bathtub to be free from defects in materials and workmanship for three years. Additionally, the acrylic surface material is structurally warranted not to leak and not to change colour for a period of three years.

### TWO YEAR COMPONENT WARRANTY:

Ique Bathroom Limited warrants the electrical components, pumps, blowers, jets, air jets, fittings and other Hydro Therapy Massage Bathtub components against defects in materials and workmanship for two years. Some parts, most of which can be changed out, such as light and cover locks, are not included in this warranty, but are warranted to be free from defects in materials and workmanship at the time of delivery.

### CONTENTS OF WARRANTY:

This warranty extends only to the original consumer purchaser of the Hydro Therapy Massage Bathtub when purchased and originally installed within the boundaries of the European community. This warranty begins on your delivery date of the Hydro Therapy Massage Bathtub. Upon installation you are obligated to use the installation service from the Distributor or the company or companies that the Distributor has appointed for doing the installation. This warranty will be terminated if the customer (you) not fulfil the demands to use the company/is that the Distributor has Authorized.

### WARRANTY PERFORMANCE:

To make a claim under this warranty, contact your dealer. In the event you are unable to obtain service from the dealer, please contact the Distributor directly. You must give Ique Bathroom Limited representative/Distributor and/or your dealer written notice of any warranty claim, along with a copy of your original purchase receipt including installation information indicating the date of the purchase, date of installation within ten (10) days of the time you discover the claim. Ique Bathroom Limited representative/authorized distributor/ service agent reserves the right to inspect the malfunction or defect on location.

Ique Bathroom Limited or its Authorized Distributor/ Service Agent will repair any defects covered by this warranty. Except as described herein, you will not be charged for parts, labour or the freight costs for parts necessary to repair the Hydro Therapy Massage Bathtub for defects covered by this warranty. In some cases, the servicing dealer may charge you a for the repairman's travel/service charge that is not covered by this warranty. Please contact the dealer or Distributor for information regarding any such charges.

#### LIMITATIONS:

Except as described above, this warranty does not cover defects or damage due to normal wear and tear, improper installation, shipping damage, installation damage, damage due to the use of chemicals, bath oil additives or improper cleaning agents, alteration without Ique Bathroom Limited' prior written consent, accident, acts of God, misuse, abuse, commercial or industrial use, use of an accessory not approved by Ique Bathroom Limited, failure to follow Ique Bathroom Limited' Instructions or Owner's Manual, or repairs made or attempted by anyone other than an authorized representative of Ique Bathroom Limited or its Authorized Distributor/ Service Agent . Alteration includes, but is not limited to, any component or plumbing change, or electrical conversion. This warranty does not cover minor blemishes, pitting or crazing or cost incurred the removal, installation or transportation of a unit.

#### RESPONSIBLE PARTIES

Damage occurring in transit is the responsibility of the carrier (transport company). The Customer (you) must open the crate and inspect the unit (in the presence of the carrier) for damages when delivered. If damage is discovered it must be reported to the carrier and to the dealer or Authorized Distributor immediately. The Customer (you) is responsible for knowing local code requirements. Ique Bathroom Limited or the Authorized Distributor / Service Agent are not responsible for costs to modify any unit to obtain any code approval, such as city, county or state building codes.

#### DISCLAIMERS:

TO THE EXTENT PERMITTED BY LAW, IQUE BATHROOM LIMITED SHALL NOT BE LIABLE FOR LOSS OF USE OF THE HYDRO THERAPY MASSAGE BATHTUB OR OTHER INCIDENTAL OR CONSEQUENTIAL COSTS, EXPENSES, OR DAMAGES, INCLUDING BUT NOT LIMITED TO THE REMOVAL OF ANY DECK OR CUSTOM FIXTURE OR ANY COST TO REMOVE OR REINSTALL THE HYDRO THERAPY MASSAGE BATHTUB, IF NEEDED. ANY IMPLIED WARRANTIES, INCLUDING THE IMPLIED WARRANTIES OF MERCHANTABILITY AND FITNESS FOR A PARTICULAR PURPOSE, ARE LIMITED TO THE DURATION OF THE APPLICABLE WARRANTY STATED ABOVE.

#### LEGAL REMEDIES:

This warranty gives you specific legal rights, and you may have other rights which vary from country to country.